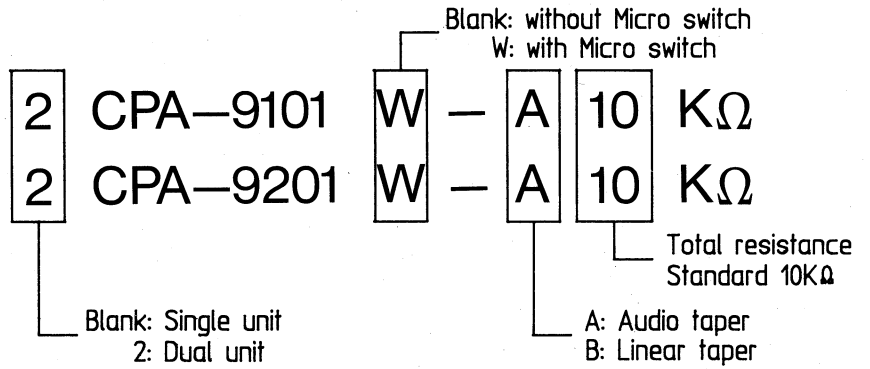
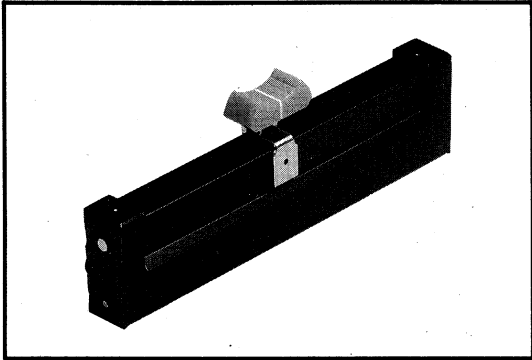
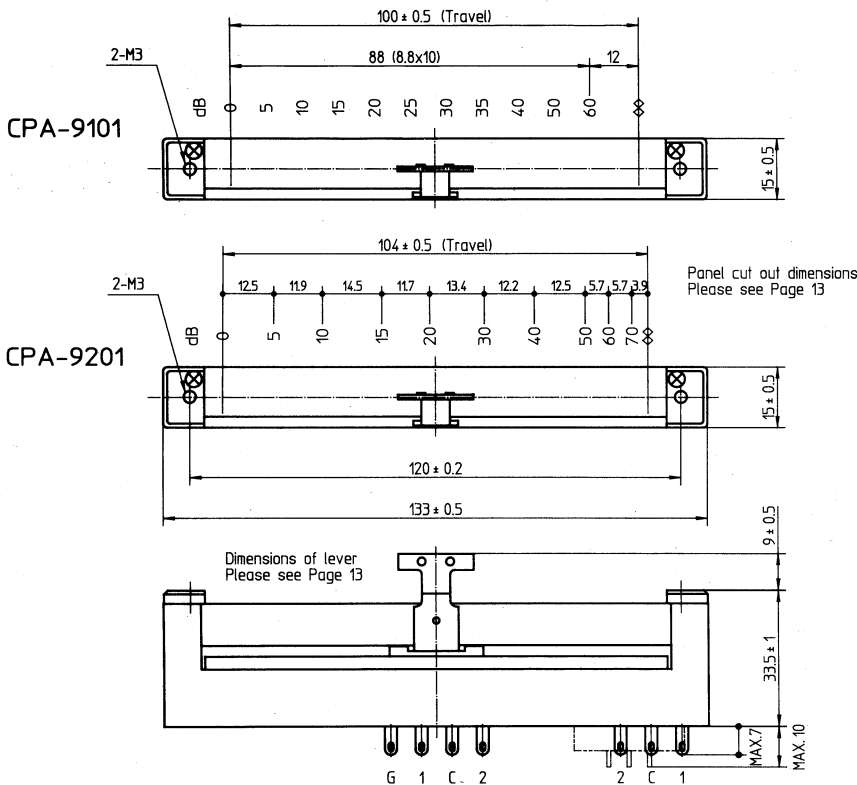


## CPA-9000 SERIES

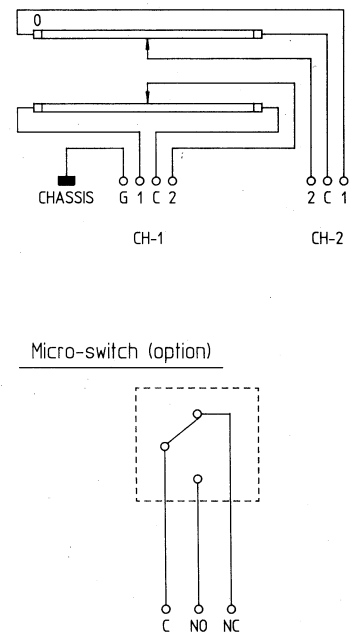
## 形名指定方法 Numbering System



### 外形図 Dimensions



### 回路図 Circuit



## 仕様 Specifications

形名	MODEL	CPA-9101 CPA-9201	2CPA-9101 2CPA-9201
回路数 (不平衡回路)	number of channels (unbalanced)	1	2
抵抗変化特性	output law	Audio taper or Linear taper	
全抵抗値(許容差±20%)	total resistance±20%	10KΩ (standard)	
減衰量偏差	attenuation accuracy	0~20dB ±1.0dB (at 10dB ±0.5dB) ~40dB ±2.0dB	
連動偏差	maching accuracy	0~15dB ±0.5dB ~30dB ±1.0dB ~40dB ±2.0dB	
挿入損失	insertion loss maximum	0.5dB	
最大減衰量 (15KHz)	cut off at 15KHz minimum	100dB	
定格	voltage rating	not to exceed 20V DC.	
絶縁抵抗	insulation resistance	50MΩ or more at DC 500V	

## Option

extenal micro switch  
knob: CP-1 or CP-2  
fixing threads: M3x5